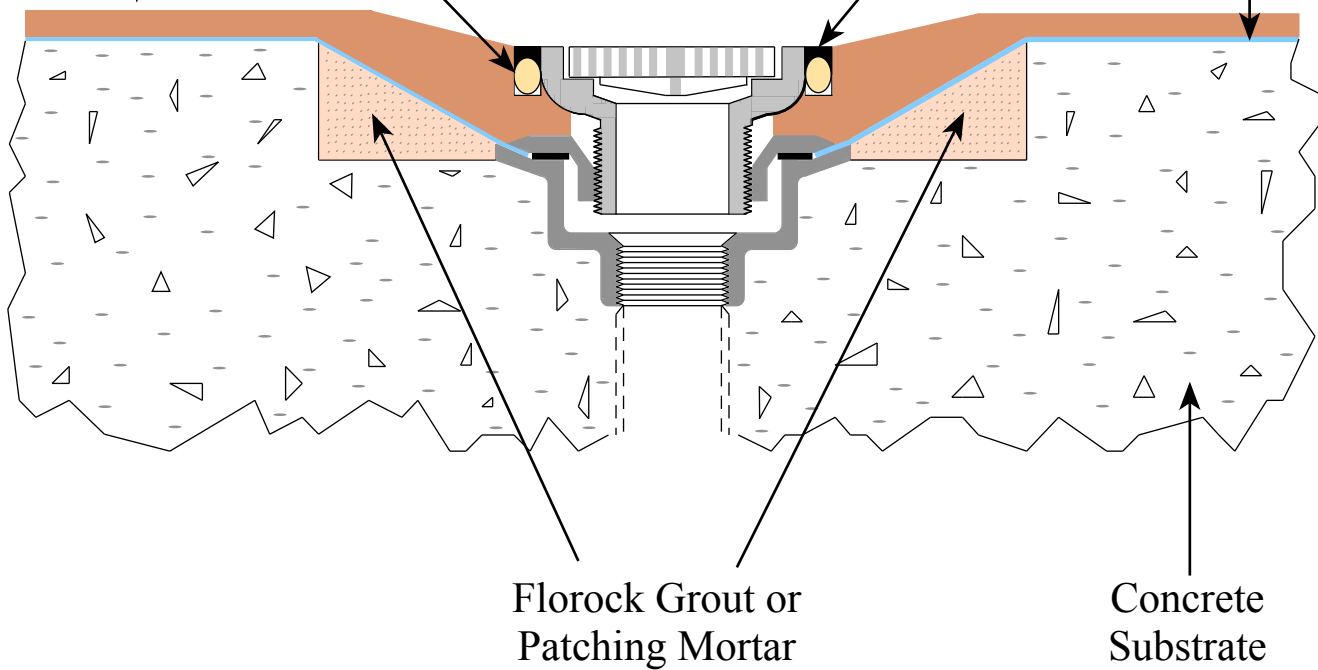


Florock Overlayment

Florock 6500 Series
Waterproofing Membrane

Polyethylene
Backer Rod

Florock 6500 Series
Elastomeric Joint Sealant



Note: Backing Rod positioned to provide an installed sealant depth that is equal to 50% of the joint width.

Florock[®]
Excellence in Polymer Flooring

Drain Detail
Floor Drain
(With Waterproofing Membrane)

www.florock.net
Tel No. 800-356-7625
Email. web@florock.net

Scale:
Not to scale

Date:
6/07/13

Drawn By:
CJG

Drawing No.
FL/044